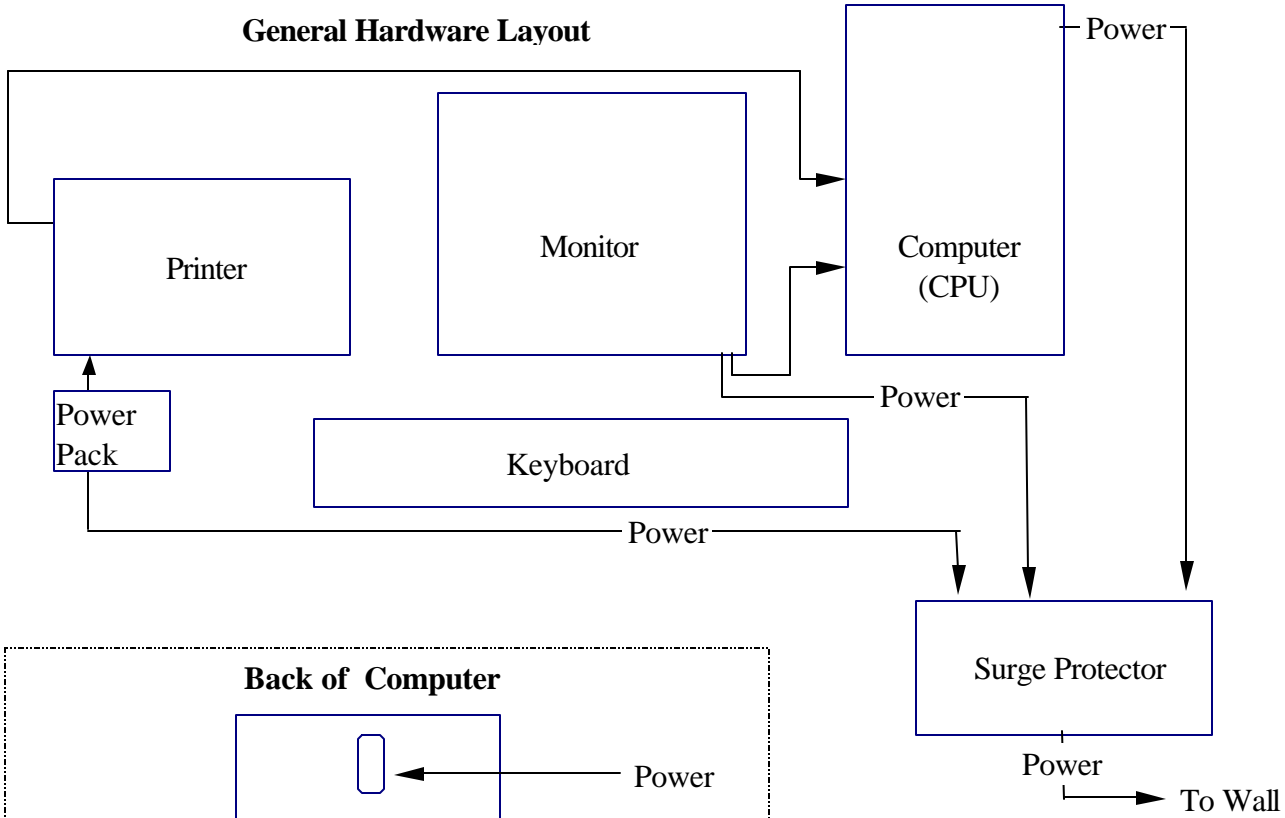
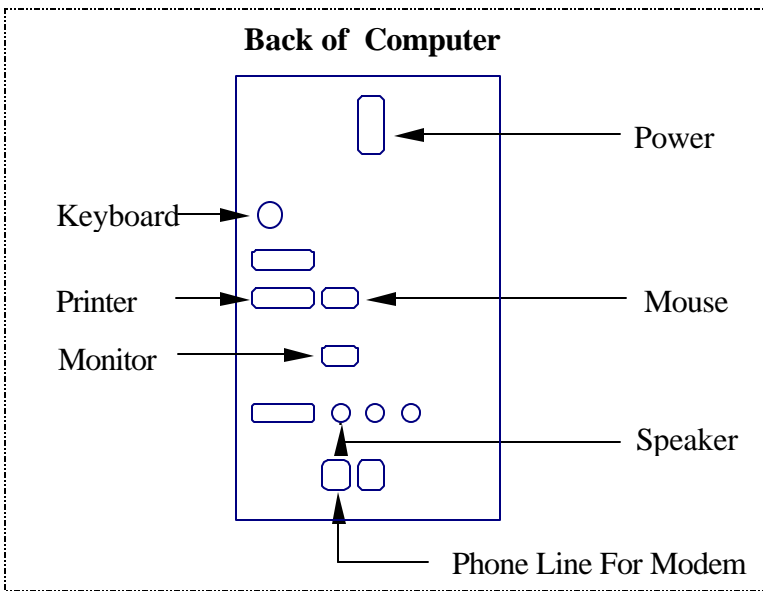




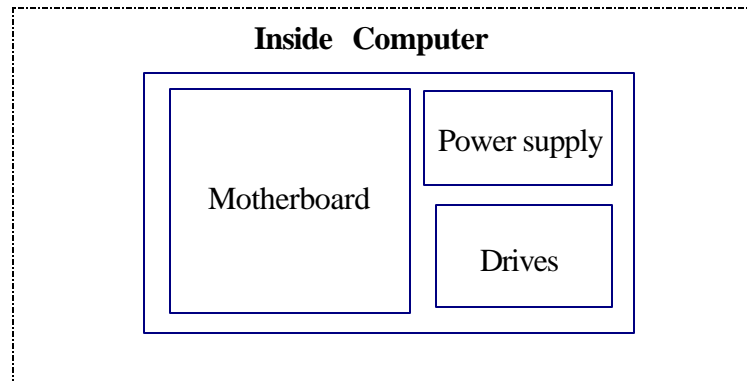
General Hardware Layout



Back of Computer



Inside Computer



Computer Installation

- Plug in Surge Protector to Wall
- Plug Computer Power Cord to Computer and then to Surge Protector
- Make Sure Computer Is Off (no lights)
- Plug Keyboard To Back Of Computer
- Plug Monitor Power Cord to Monitor and Then to Surge Protector
- Plug Monitor Data Cable to Back of Computer
- Unpack Printer and Setup
- Follow Directions With Printer

* Plugs Only Fit One Place

DO NOT FORCE - Check Pin Line-up